



L230 LED Issue 1
LED 78w
Manual Control



APPLICATION

The new **Francis LED** searchlight range has been developed to offer an **Efficiently and Environmentally** Friendly alternative to traditional lamp sources.

Using the highest grade of CREE LED, this range offers a high power output with low power consumption. In addition, the CREE XLamp Series offer a lamp life of 50,000 hours.

As with all Francis products, the construction is robust and of the highest quality. To dissipate the heat generated by the high power LED, the heat sinks are integrated into the barrel construction.

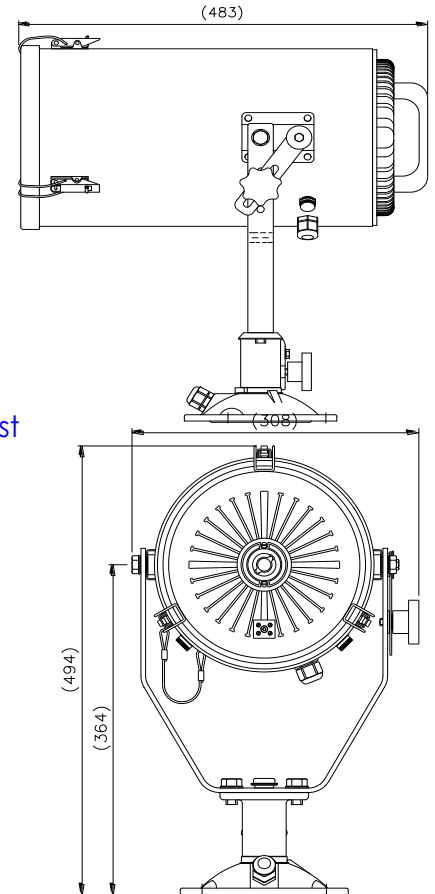
The 78w LED gives illumination characteristics similar to that of a 500w halogen lamp.

SPECIFICATION

- Constructed from marine grade aluminum & stainless steel
- High quality powder paint finish.
- Standard colour white or satin black, with any other colour as an option.
- Colour Temp options 5000k (similar to Xenon and metal halide)
- 50,000 lamp life hours
- Aluminium precision reflector
- Fixed focus giving 11 degree divergence and a good spread of illumination
- Sealing to IP66.
- Weight 8 kg searchlight, PSU driver under 1kg.
- 100 – 240v power supply input

Performance Data

Lamp Source	Lamp Life hrs	Luminous Flux	Range M	Divergence
78w LED	50,000	6900	690	11°



Fixing details:
3 holes Ø11mm on a 154 PCD

Part No A6138 - Deck



Francis Searchlights Limited
Union Road, Bolton, BL2 2HJ, UK
Tel 44 (0) 1204 558960 Fax 44 (0) 1204 558979
Email sales@francis.co.uk Web site www.francis.co.uk

For more information contact: