



L300 LED Issue 1
LED 234w
Manual Control

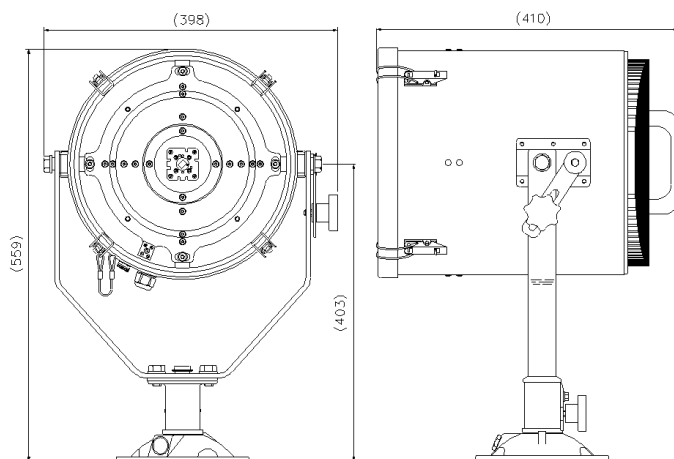


APPLICATION

The new Francis LED searchlight range has been developed to offer an **Efficiently and Environmentally Friendly** alternative to traditional lamp sources.

Using the highest grade of the world class Osram LED, this range offers a high power output with low power consumption. Using a series of precision made glass lenses to optimize and collimate the light output, to achieve a greater range and output. The high power LED Chip has 20,000 hour life.

As with all Francis products, the construction is robust and of the highest quality. To dissipate the heat generated by the high power LED, there has been a great focus on thermal management, and these heat sinks are integrated into the barrel construction.



Fixing details:
3 holes Ø11mm on a 154 PCD

The 234w LED gives illumination characteristics in excess of a 300w Xenon lamp / 3kw Halogen.

SPECIFICATION

- Constructed from marine grade aluminum & stainless steel
- High quality powder paint finish.
- Standard colour white/green or matt black, with any other colour as an option.
- Colour Temp options 6000k
- 20,000 lamp life hours
- Precision made glass lenses
- Fixed focus options giving 4° degree Spot(SP), 6° Mid Beam(MD) or 10° Flood(FL)
- Sealing to IP66.
- Weight 17 kg searchlight, PSU driver under 4kg.
- 100 – 240v power supply input
- 19000lm output
- Light intensity at 100m approximately 270 Lux

Performance Data

Lamp Source	Lamp Life hrs	Luminous Flux	Range M @1 Lux	Part No
234w LED	20,000	19,000	1647m	A6150SP, MD, FL

Francis Searchlights Limited
Union Road, Bolton, BL2 2HJ, UK
Tel 44 (0) 1204 558960 Fax 44 (0) 1204 558979
Email sales@francis.co.uk Web site www.francis.co.uk

For more information contact: